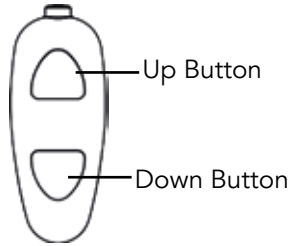
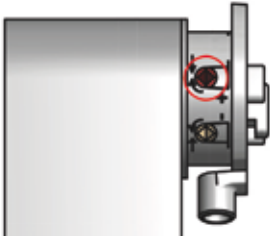


R1700 REMOTE CONTROL

programming instructions

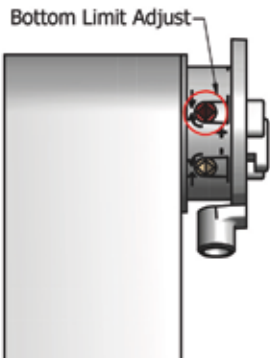
SET-UP AND OPERATION



MOTOR TORQUE/SPEED: 0.3NM/34RPM

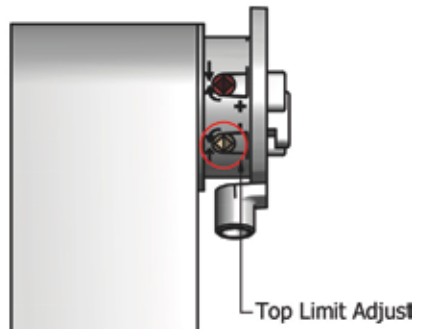
- Motor is combined with a wired switch and powered by a battery wand.
- The side of the motor mount with the adjuster screws should face you.
- Please replace batteries as required (6 months)

SETTING THE LIMIT



SET-UP LOWER LIMIT

- Rotate red screw anti-clockwise to raise the lower limit
- Rotate red screw clockwise to lower the lower limit



SET-UP UPPER LIMIT

- Rotate white screw clockwise to raise the upper limit
- Rotate white screw anti-clockwise to lower the upper limit

OPERATION

1. Check the motor direction by pressing UP or DOWN on the switch.
2. If correct then proceed to set-up lower limit, if incorrect change the motor direction as below



CHANGE MOTOR DIRECTION

1. Press and hold UP and DOWN button together on the wand control for 6 seconds and the motor will jog the blind to indicate the direction has changed.

TO LOWER THE BLIND

1. Press DOWN button on the wand control to lower the blind.
2. Press the DOWN button on the wand and control to stop the blind at desired position.

PLEASE NOTE:

If at any time the motor defaults to jog mode follow these steps to revert to normal setting.



TO RAISE THE BLIND

1. Press UP button on the wand control to raise the blind.
2. Press the UP button on the wand control to stop the blind at desired position.

JOG MODE

1. Press and hold UP and DOWN button together on the wand control for 10 seconds and the motor will jog twice.